

AVer Pro-AV Camera Bracket Options

February 2022

There are several options for the AVer Pro-AV line of cameras to be mounted, we will cover some popular options for the AVer Camera Brackets and AVer Cameras. All of the AVer Pro-AV cameras have a ¼ x 20 mount, located on the bottom of the camera.

There are four main groups of Pro-AV AVer cameras that we will discuss:

- PTZ310, PTZ330, PTZ310N, PTZ330N line of Cameras
- TR3XX line of Cameras
- TR3XXV2 line of Cameras
- TR530 and TR320 line of Cameras (*These cameras can NOT be installed inverted)

Camera Mounts	SKU	Description	Compatibility	MSRP
	PTMLTWC01	AVer Camera Mount L-Type for Wall & Ceiling	TR320, TR530	\$108.00
	COMSVCMNT	AVer Camera Mount L-Type for Wall	PTZ and TR Series	\$99.00
	PTMLTCM01	AVer Camera Ceiling Mount	PTZ Series , TR311, TR311HN, TR313, TR333	\$89.00

***Note:** The PTMLTCM01 Ceiling Mount is included with the TR3XX/TR3XXV2 series of cameras.

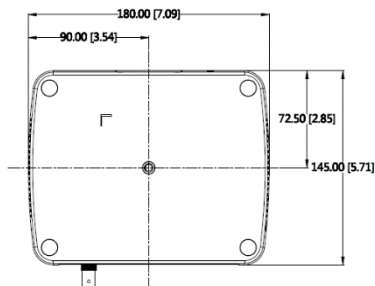
Camera Handling

It is IMPORTANT to note that while handling the camera, grab the camera by the base, do NOT use the camera lens holder as a handle, as damage to the camera motors could occur.

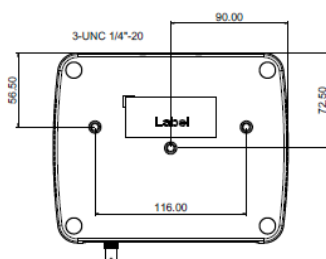
PTZ310/330 Series and TR3XX Series of Cameras

The PTZ line and TR3XX line of cameras can be wall mounted and ceiling mounted. The Wall Mount can also be used to install the camera inverted.

PTZ Camera
(1) ¼ x 20, 6.5mm



TR3XX Camera
(3) ¼ x 20, 6.5mm



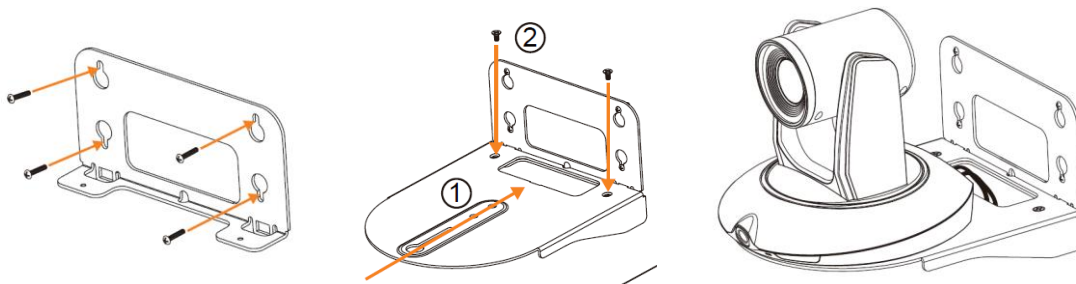
***Note:** Do NOT use screws longer than 6.5mm, as damage could occur to the internal motherboard.

Wall Mount L-Type

Part Number: COMSVSMNT

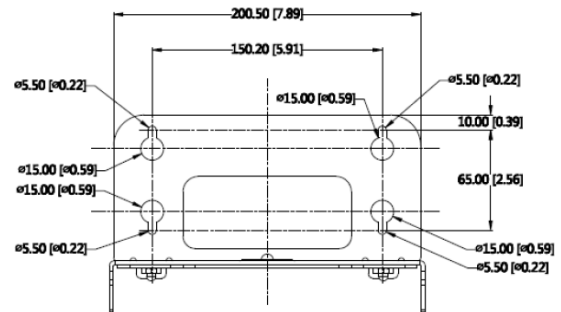
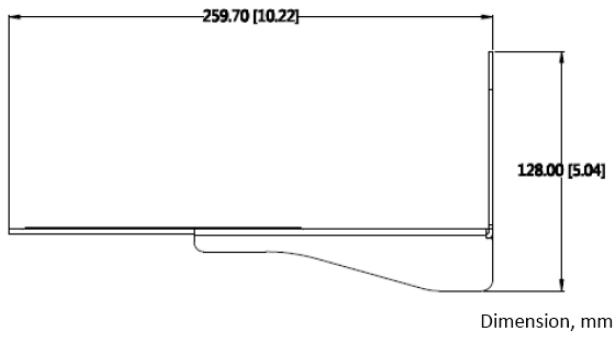
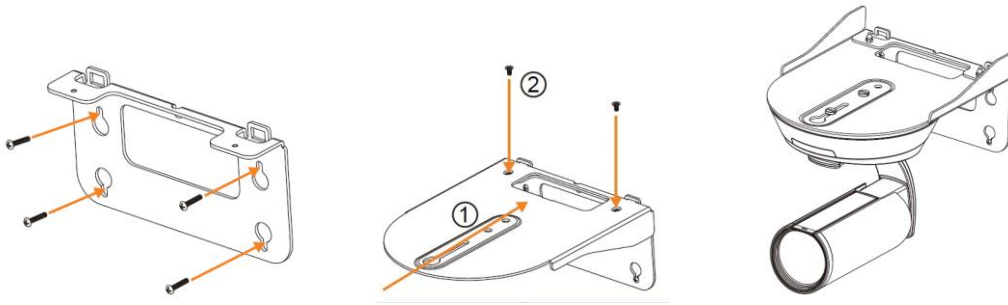
This bracket can be used to mount the camera in 1 of 2 ways, Shelf and Inverted.

Shelf



PTZ310/330 Series and TR3XX Series of Cameras (continued)

Inverted



PTZ310/330 Series and TR3XX Series of Cameras (continued)

Ceiling Mount

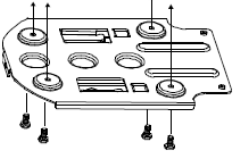
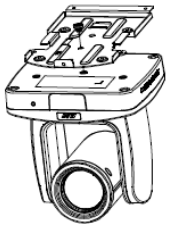
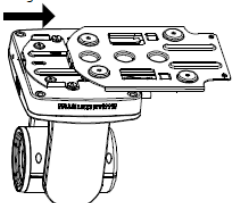
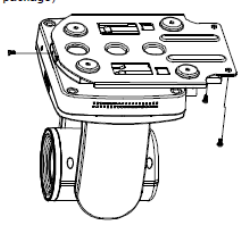
Part Number: PTMLTCM01

***Note:** This bracket can be used with the PTZ310/330(N), TR3XX, and TR3XXV2 cameras.

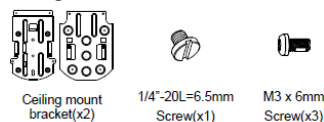
***Note:** The PTMLTCM01 bracket is included with the TR3XX and TR3XXV2 cameras.



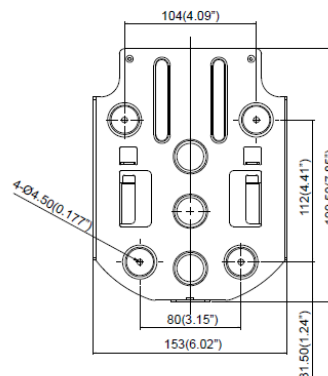
Ceiling installation

<p>1. Secure the mount bracket on the ceiling. Screw: 4 screws, M4 x 10mm(Not Included in the package)</p> 	<p>2. Install the mount bracket on the camera. Screw: 1 screw, 1/4"-20 L=6.5mm(Included in the package)</p> 
<p>3. Slide the mount bracket with the camera into the mount bracket which secured on the ceiling.</p>  <p>[Note] Connects necessary cables after sliding the camera into the mount bracket.</p>	<p>4. Secure the camera with screws. Screw: 3 screws, M3 x 6mm(Included in the package)</p> 

Package Contents



Dimensions



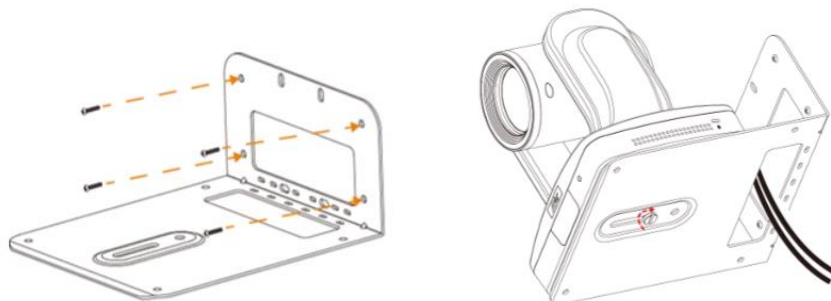
***Note:** Do NOT use screws longer than 6.5mm, as damage could occur to the internal motherboard.

PTZ310/330 Series and TR3XX Series of Cameras (continued)

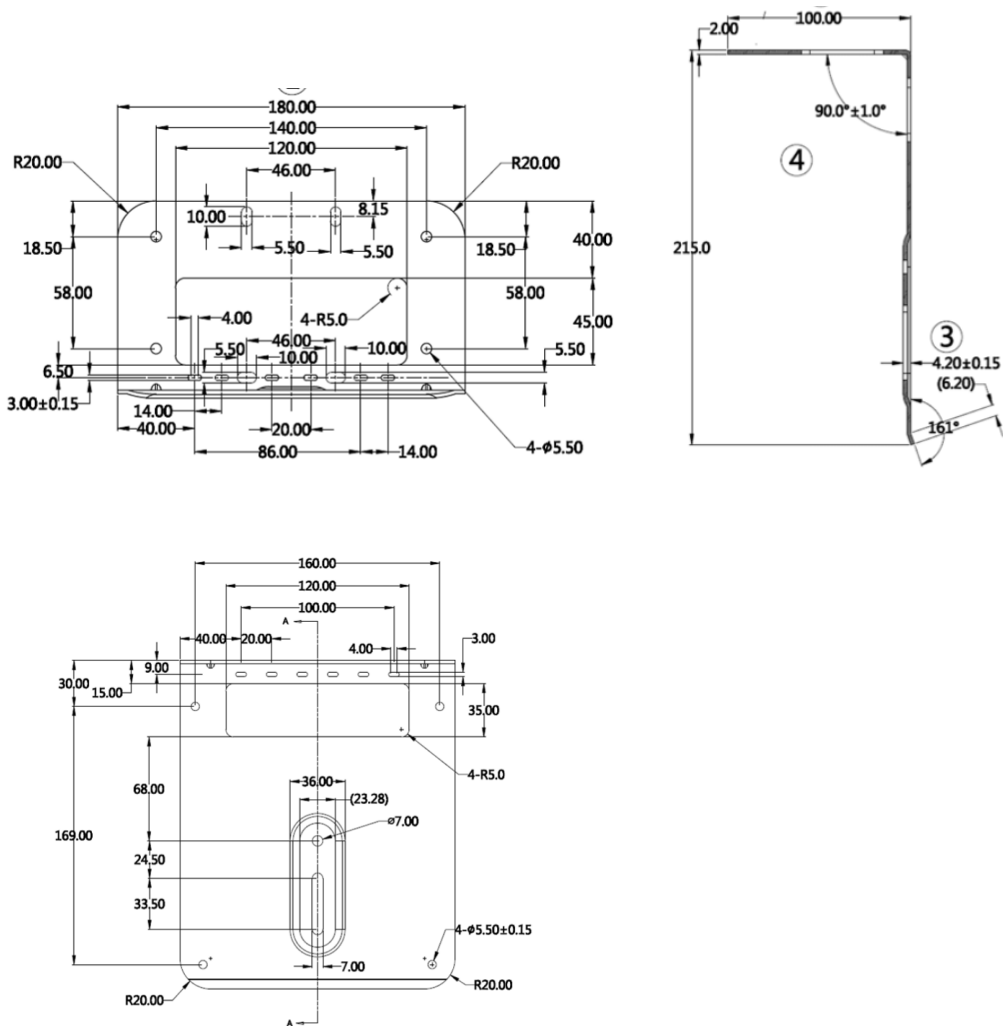
AVer Camera Wall Mount for PTZ Series

Wall Mount Part Number: PTMLTWA01

This bracket can be used to mount the camera in a shelf mode.



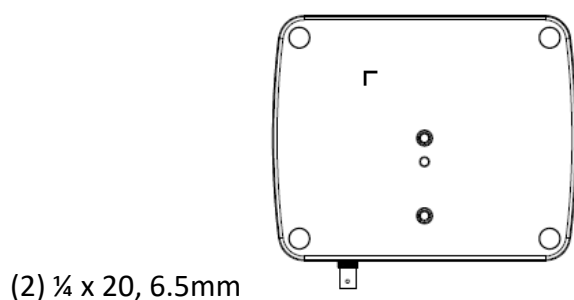
180mm W x 215mm D x 100mm H



TR3XXV2 Cameras

These cameras have a slightly different footprint than the new TR3XX cameras, but the same brackets can be used.

***Note:** The vertical dimension is slightly taller than the TR3XX cameras, if you are going to use an In Wall type bracket, make sure you have at least 9-1/2" of clearance vertically. Cameras will go through it's PTZ routine upon power up or reboot, checking that it has the full range of motion for Pan and Tilt.

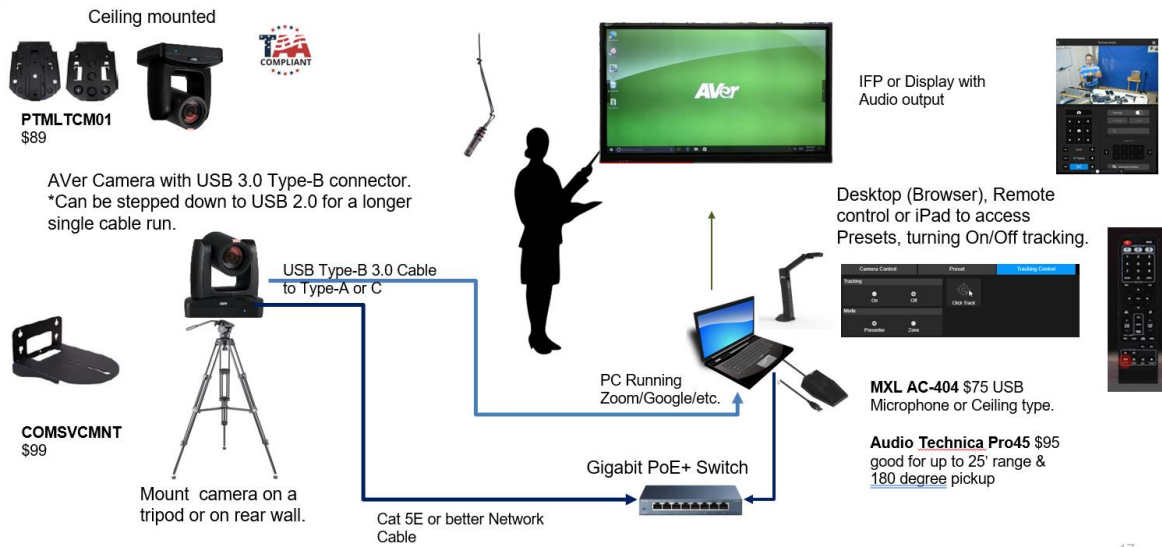


***Note:** Do NOT use screws longer than 6.5mm, as damage could occur to the internal motherboard.

TR3XXV2 Cameras (continued)



Potential TR313V2 Setup, PoE+, 18Watts



17

TR530 and TR320 Cameras

The TR530 and TR320 cameras can ONLY be installed vertically, they can NOT be installed inverted. The following (2) AVer camera brackets can be used with these cameras.

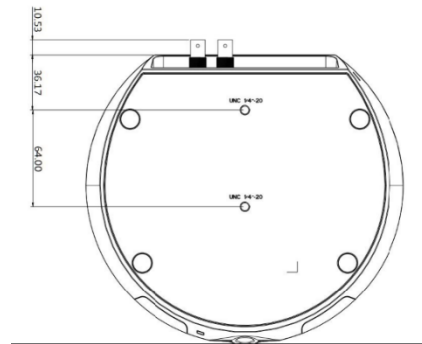
TR530

(2) ¼ x 20, 6.5mm



TR320

(2) ¼ x 20, 6.5mm

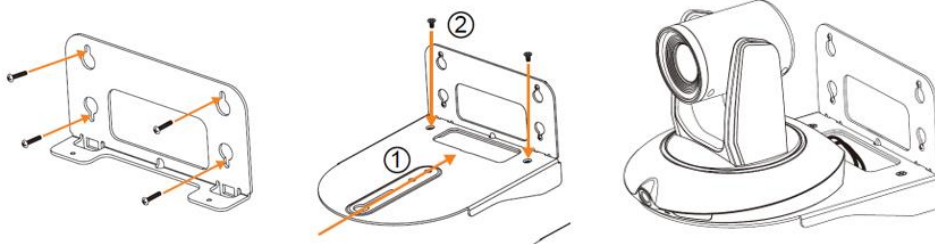


***Note:** Do NOT use screws longer than 6.5mm, as damage could occur to the internal motherboard.

Wall Mount Part Number: COMSVSMNT

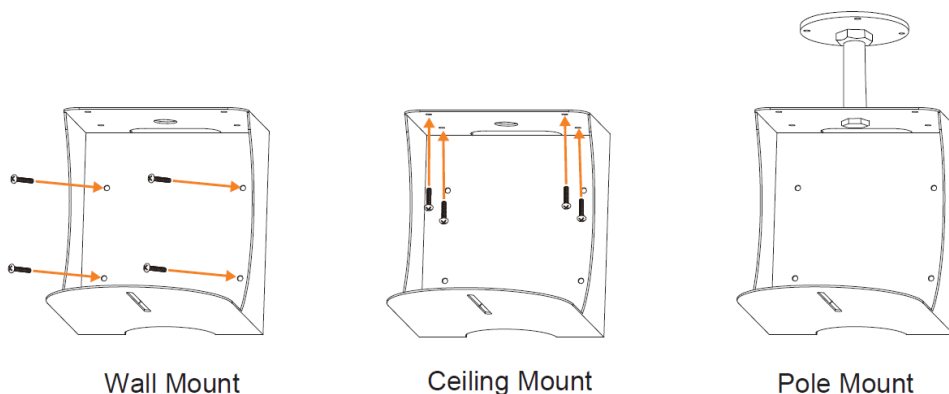
***Note:** The wall bracket cannot be used in inverted mode with the TR530/320 cameras.

Shelf



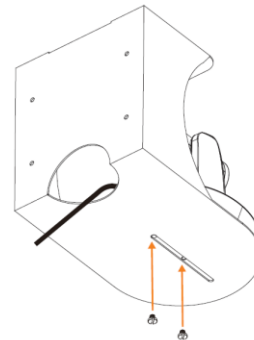
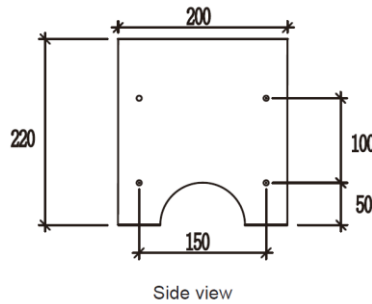
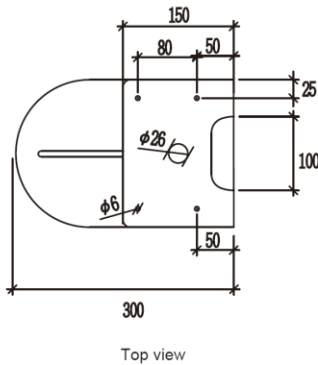
AVer Wall / Ceiling / Pole Mount

Ceiling / Wall Mount Bracket Part Number: PTMLTWC01



TR530 and TR320 Cameras (continued)

Mount bracket dimension (in mm)



3. Secure the camera on the mount bracket with the screws.
[Note] screw size: 1/4"-20L=6.5mm (not included in the package)



Potential Classroom Configuration



Can be Ceiling hung, but NOT Inverted.
PTMLTWC01



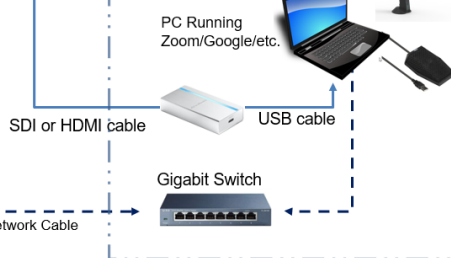
TR530 Camera does NOT have a USB connection on it. Use either an SDI to USB converter or HDMI to USB converter.

SDI cable can go upto 300ft.
 HDMI cable can go upto 50ft.
 *Both without boosting.



Long HDMI or Long SDI cable to the Converter. Type C to Type A

Cat 5E or better Network Cable



IFP or Display with Audio output



Desktop (Browser) or Remote control of camera including presets, turning on/off tracking.

MXL AC-404 \$75 USB Microphone or Ceiling type.

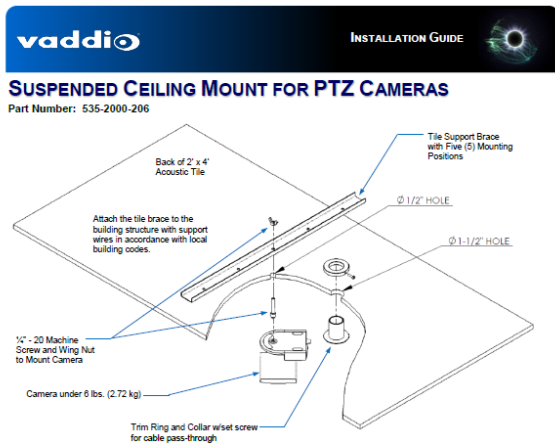
Audio Technica Pro45 \$95 good for up to 25' range & 180 degree pickup

Other Mounting Options

There are other mounting options that can be used for AVer camera installations, make sure they are designed for moving cameras and can handle the weight of the camera.

***Note:** Do NOT use screws longer than 6.5mm, as damage could occur to the internal motherboard.

Drop Ceiling Tile Mount, PTZ310 / PTZ330 and TR3XX / TR3XXV2 cameras.



https://www.legrandav.com/products/mounts/camera_mount/suspended-ceiling-mount-for-vaddio-cameras/535-2000-206#sort=relevancy&numberOfResults=20

Drop Ceiling Tile Mount, (non-inverted) for TR530 and others.



https://www.legrandav.com/products/mounts/camera_mount/offset-drop-down-mount-for-roboshot-and-hd-series-ptz-cameras/535-2000-296#sort=relevancy&numberOfResults=20

Other Mounting Options (continued)

Harsher Environments

For the PTZ and TR3xx/TR3xxV2 cameras.



<https://www.dotworkz.com/d-series-ip68-camera-housing/>

<https://www.dotworkz.com/download/manuals/Dotworkz-D2-User-Manual-with-MVP.pdf>

Check in on our Pro-AV Support website for helpful “How To” videos and additional documentation.

<https://www.averusa.com/pro-av/support/>