

M5 Document Camera

Quick Start Guide

Package Content

M5 Unit



Optional Accessories

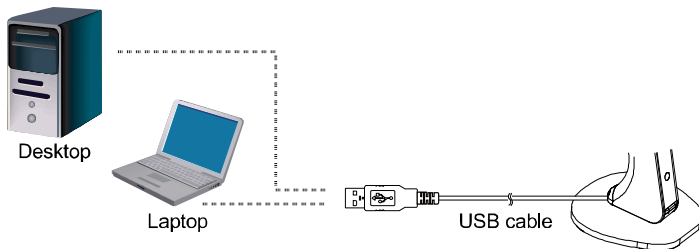
Carrying Bag



Anti-glare Sheet



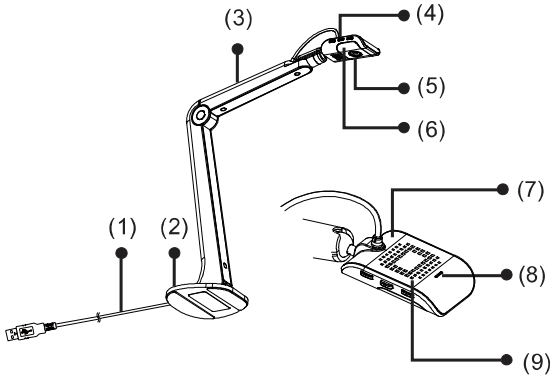
Connecting the M5 to a PC/Laptop






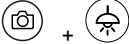
Software, FAQ, Training Videos

To download AVerTouch software, and check out frequently asked questions and training videos, please go to: <https://www.averusa.com/education/support/>

Overview



- (1) USB 2.0 Cable
- (2) Stand Base
- (3) Mechanical Arm
- (4) Capture/AF/LED Lamp Buttons

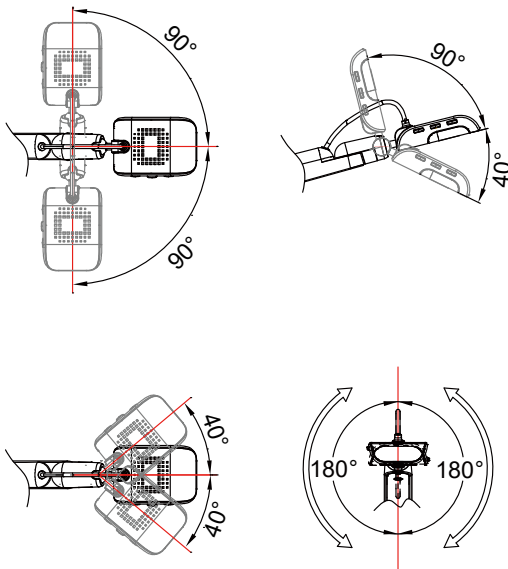
	<ul style="list-style-type: none"> ■ Press for 1 second to capture a still image via AVerTouch. ■ Press and hold 3 seconds to start recording via AVerTouch. To stop recording, press and hold 3 seconds again via AVerTouch.
	<ul style="list-style-type: none"> ■ Press for 1 second to automatically adjust the focus.
	<ul style="list-style-type: none"> ■ Press for 1 second to adjust the LED lamp brightness. 1st press: lamp on (level 1). 2nd press: lamp on (level 2). 3rd press: lamp on (level 3). 4th press: lamp off. ■ Press and hold 3 seconds to rotate 180°.
	<ul style="list-style-type: none"> ■ Press together for 1 second to freeze via AVerTouch.

- (5) Camera Lens
- (6) LED Lamp
- (7) Camera Head
- (8) LED Status Indicator – solid green indicates power on.
- (9) Built-in Mic

Camera Head Angle

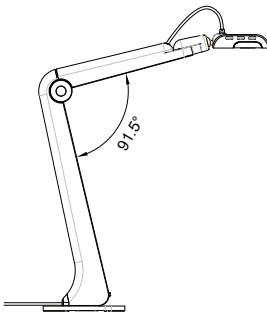
Move the camera head as figure shown.

[CAUTION] To avoid damage the camera head, hold the edge of the camera head to rotate the camera head.



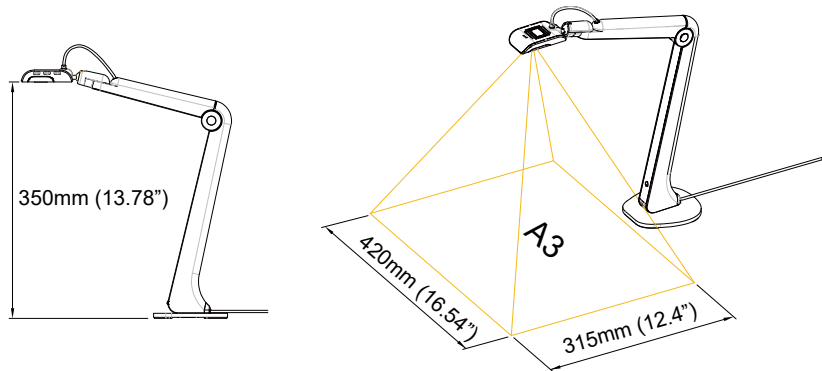
Camera Body Angle

[CAUTION] To avoid damage the camera unit, **DO NOT** pull the arm angle over 91.5°.



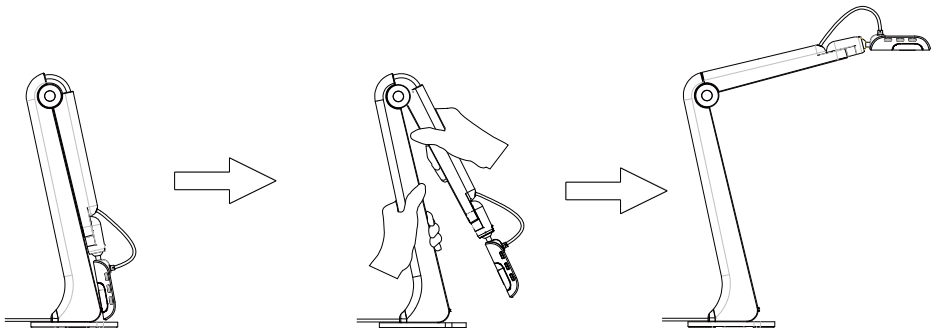
Shooting Area

When camera position is 350mm (13.78") high, the shooting area will be A3 size.



Unfold the Camera

[CAUTION] To avoid damage the camera head, **DO NOT** grab the camera head to unfold the camera.



Specification*

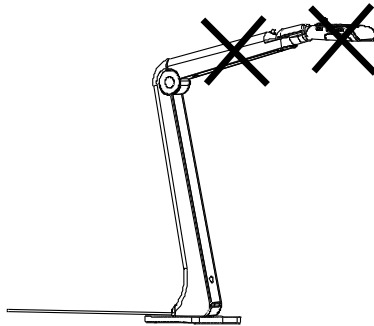
Image Sensor	1/3.2" CMOS
Pixel Count	8 megapixels
Frame Rate	Max. 60fps @1920x1080 Max. 15fps @3264x2448
Output Resolution	3264x2448, 1920x1080, 1280x1024, 1280x720, 1024x768, 800x600, 640x480, 640x360, 320x240, 320x184, 320x180
Focus	Auto (button)/Manual (via software)
Shooting Area	Larger than A3, 420mm x 315mm (16.53" x 12.4")
Zoom	16X Digital Zoom (via software)
Power Source	USB 2.0, 5V/0.5A
Consumption	1.7Watts (lamp on) 1.3Watts (lamp off)
Operating Conditions	Temperature: 0°C to +40°C (+32°F to +104°F)** Humidity: 10% to 90%
Storage Conditions	Temperature: -30°C to +60°C (-22°F to +140°F) Humidity: 10% to 90%
Lamp Type	LED
USB	USB 2.0 (for power and computer connectivity)
Mic	Built-in
Operating (L x W x H)	313.4mm x 108.6mm x 370.0mm (12.34" x 4.28" x 14.57")
Folded (L x W x H)	115.9mm x 108.6mm x 323.6mm (4.56" x 4.28" x 12.74")
Net Weight	0.78kg (1.72lbs)
Gross Weight	1.1kg (2.42lbs)
Software	AVerTouch

* Specifications are subject to change without prior notice.

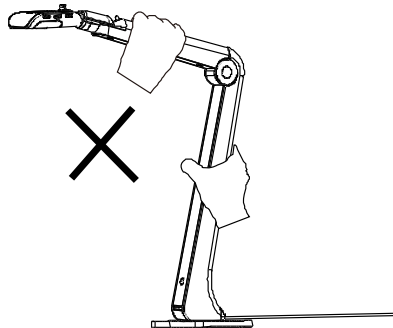
** It is suggested that the operating temperature should between 0°C and +35°C (+32°F and +95°F) when LED lamp is on.

WARNING

- To reduce the risk of fire or electric shock, do not expose this appliance to rain or moisture. Warranty will be void if any unauthorized modifications are done to the product.
- Do not drop the camera or subject it to physical shock.
- Use the correct power supply voltage to avoid the damaging camera.
- Do not place the camera where the cord can be stepped on as this may result in fraying or damage to the lead or the plug.
- Hold the bottom of the camera with both hands to move the camera. Do not grab the lens or arm to move the camera.



- Do not pull the camera arm and camera part in the opposite direction.



COPYRIGHT

©2021 AVer Information Inc. All rights reserved.

Contact Information

AVer Information Inc.

<https://www.averusa.com>

668 Mission Ct., Fremont, CA 94539, USA

Tel: +1 (408) 263 3828

Toll-free: +1 (877) 528 7824

Technical support: support.usa@aver.com

Federal Communication Commission Interference Statement

This device complies with Part 15 of the FCC Rules. Operation is subject to the following two conditions: (1) This device may not cause harmful interference, and (2) this device must accept any interference received, including interference that may cause undesired operation.

This equipment has been tested and found to comply with the limits for a Class B digital device, pursuant to Part 15 of the FCC Rules. These limits are designed to provide reasonable protection against harmful interference in a residential installation. This equipment generates, uses and can radiate radio frequency energy and, if not installed and used in accordance with the instructions, may cause harmful interference to radio communications. However, there is no guarantee that interference will not occur in a particular installation. If this equipment does cause harmful interference to radio or television reception, which can be determined by turning the equipment off and on, the user is encouraged to try to correct the interference by one of the following measures:

- Reorient or relocate the receiving antenna.
- Increase the separation between the equipment and receiver.
- Connect the equipment into an outlet on a circuit different from that to which the receiver is connected.
- Consult the dealer or an experienced radio/TV technician for help.

FCC Caution: Any changes or modifications not expressly approved by the party responsible for compliance could void the user's authority to operate this equipment.

This Class B digital apparatus complies with Canadian ICES-003.