



S40i

User Manual



FCC NOTICE (Class A)



This device complies with Part 15 of the FCC Rules. Operation is subject to the following two conditions: (1) this device may not cause harmful interference, and (2) this device must accept any interference received, including interference that may cause undesired operation.

Federal Communications Commission Statement

NOTE- This equipment has been tested and found to comply with the limits for a Class A digital device, pursuant to Part 15 of the FCC Rules. These limits are designed to provide reasonable protection against harmful interference in a residential installation. This equipment generates uses and can radiate radio frequency energy and, if not installed and used in accordance with the instructions, may cause harmful interference to radio communications. However, there is no guarantee that interference will not occur in a particular installation. If this equipment does cause harmful interference to radio or television reception, which can be determined by tuning the equipment off and on, the user is encouraged to try to correct the interference by one or more of the following measures:

- Reorient or relocate the receiving antenna.
- Increase the separation between the equipment and receiver.
- Connect the equipment into an outlet on a circuit different from that to which the receiver is connected.
- Consult the dealer or an experienced radio/television technician for help.

Class A ITE

Class A ITE is a category of all other ITE which satisfies the class A ITE limits but not the class B ITE limits. Such equipment should not be restricted in its sale but the following warning shall be included in the instructions for use:

Warning -This is a class A product. In a domestic environment this product may cause radio interference in which case the user may be required to take adequate measures.

European Community Compliance Statement (Class A)



This product is herewith confirmed to comply with the requirements set out in the Council Directives on the Approximation of the laws of the Member States relating to Electromagnetic Compatibility Directive 2014/30/EU.

Warning - This is a Class A product. In a domestic environment this product may cause radio interference in which case the user may be required to take adequate measures to correct this interference.

DISCLAIMER

No warranty or representation, either expressed or implied, is made with respect to the contents of this documentation, its quality, performance, merchantability, or fitness for a particular purpose. Information presented in this documentation has been carefully checked for reliability; however, no responsibility is assumed for inaccuracies. The information contained in this documentation is subject to change without notice.

In no event will AVer Information Inc. be liable for direct, indirect, special, incidental, or consequential damages arising out of the use or inability to use this product or documentation, even if advised of the possibility of such damages.

TRADEMARKS

Aradema (used here) for description [] Á G
purpose only belong to each of their companies.

COPYRIGHT

© 2015 AVer Information Inc. All rights reserved.

All rights of this object belong to AVer Information Inc. Reproduced or transmitted in any form or by any means without the prior written permission of AVer Information Inc. is prohibited. All information or specifications are subject to change without prior notice.



The mark of Crossed-out wheeled bin indicates that this product must not be disposed of with your other household waste. Instead, you need to dispose of the waste equipment by handing it over to a designated collection point for the recycling of waste electrical and electronic equipment. For more information about where to drop off your waste equipment for recycling, please contact your household waste disposal service or the shop where you purchased the product.

CAUTION

- › To reduce risk of electric shock use only indoors.
- › Only adults should move the S40i cart.
- › Do not allow anyone to sit, stand, or climb on the S40i cart.
- › Do not lift the S40i cart.
- › Do not block the ventilation holes used for air circulation.
- › Do not overload objects on the S40i shelves.
- › Before moving S40i cart, disconnect the power from the wall outlet.
- › While moving S40i cart, make sure the power cord is secured and tightly wrapped.

Contents

I.	Introduction	1
	Package Contents.....	1
	Optional Accessories.....	1
	Cart Dimensions.....	2
	LED Status	2
	Intelligent Charging Mechanism.....	2
	Door Lock.....	5
ii.	Setup	6
iii.	S40i Specifications	9

I. Introduction

Package Contents



S40i Cart

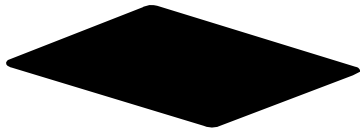


User Manual

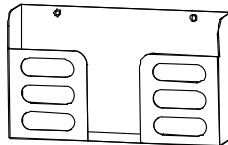


Power cord

Optional Accessories

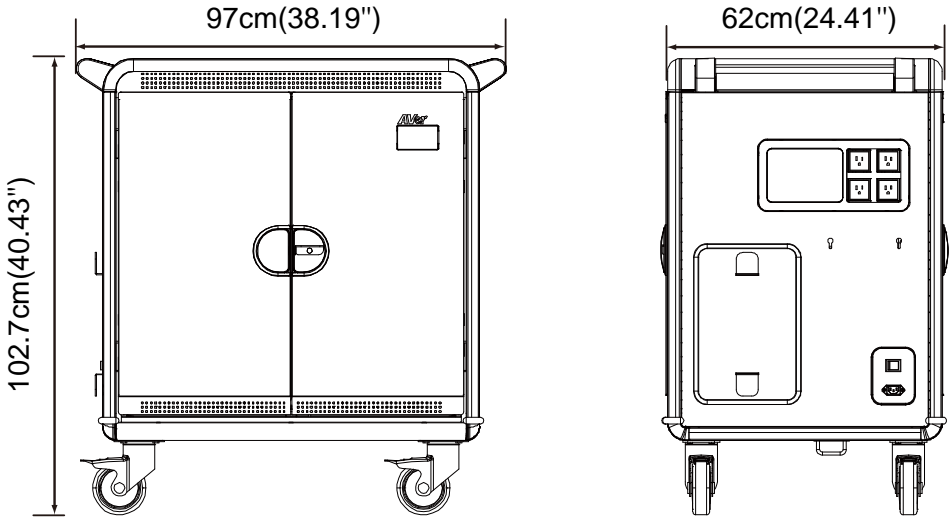


Top Mat



Access Point Holder

Cart Dimensions



LED Status

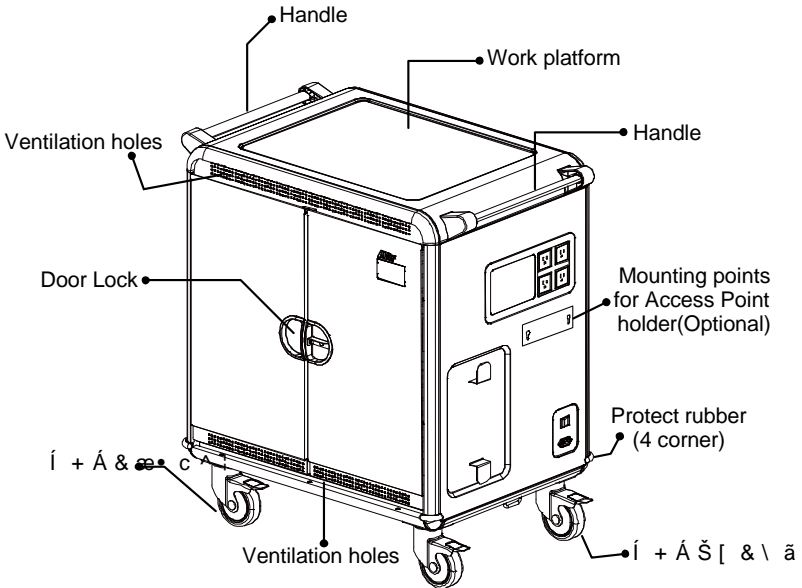
LED	Description
Cart Status (x1)	> OFF: Power OFF
	> Solid Green: Power ON
Zone LED Status (x4)	> OFF: No charging
	> Solid Blue: Charging

Intelligent Charging Mechanism

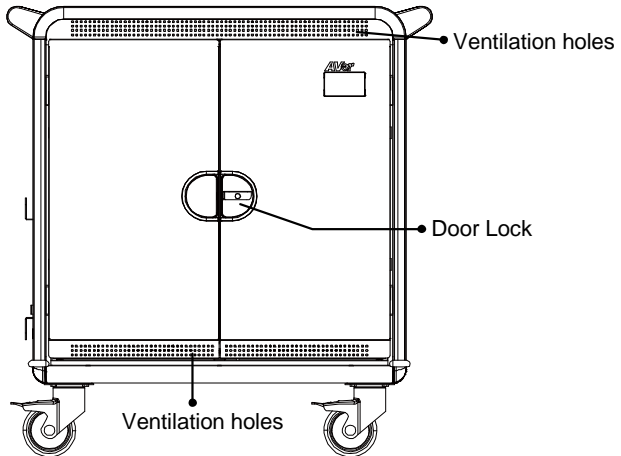
four charging zones to allocate electrical current to the zone or zones that need it most. While S40i can safely charge up to 40 tablets at one time, if Chromebooks or other devices that draw more power are being used, the intelligent charging mechanism will automatically adjust power to certain zones to avoid overloading a standard 15A fuse. Each zone, or zones, will be charged in 15 minute increments until all devices are fully charged. When a zone is fully charged, S40i will stop sending power to that zone and will focus on the remaining zones.

Cart Diagram

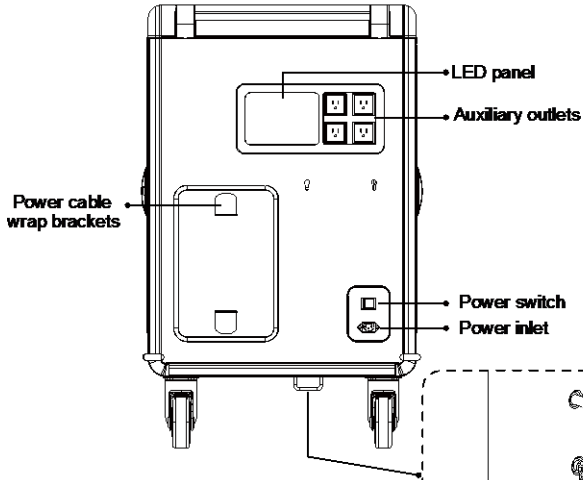
Front



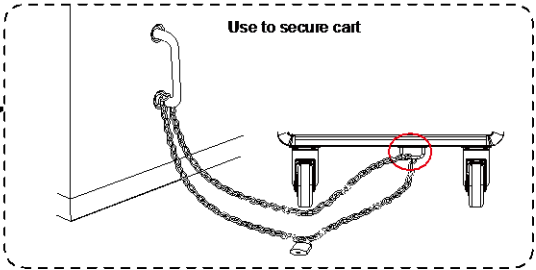
Back



Side



[Note] Auxiliary outlet and power inlet type may vary as they are country dependent.

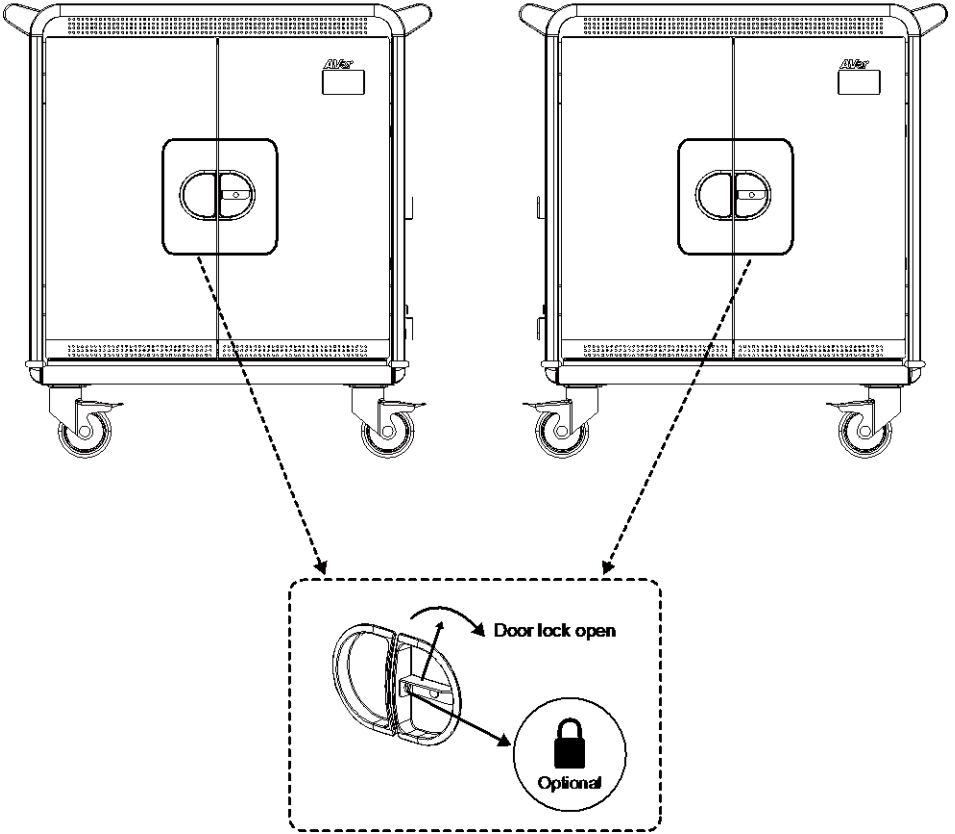


Door Lock

[Note] The shackle dimension of front and back doors are limited to $\varnothing 8\text{mm}$ (0.31").

Front

Back



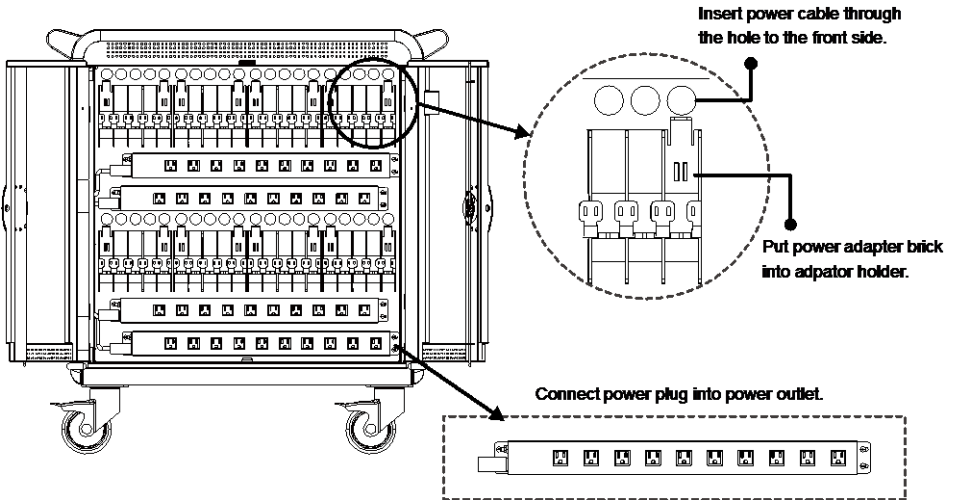
II. Setup

- [Note] 1. It is recommended to use cable ties (optional) to secure and manage cables.
2. It is recommended to use 2 technicians for most efficient device cabling.

Open the door on back side.

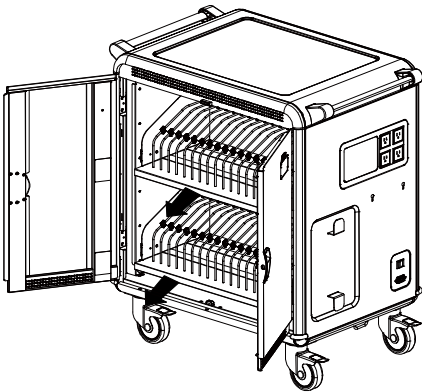
Place the device power adapter brick to the dedicated adapter holder (white)

Plug-in the device power plug to the power outlet.

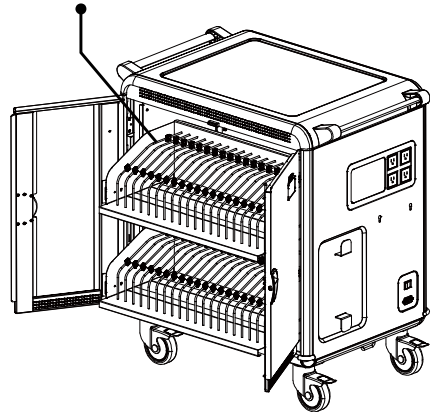


Turn to the front side and open the door

Pull out each drawer until it is fully extended



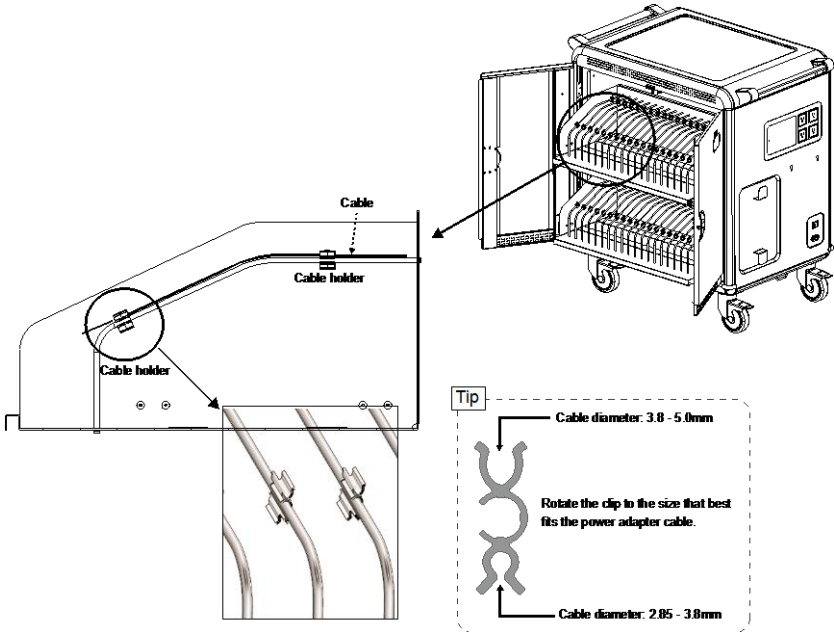
Put the device into the tray



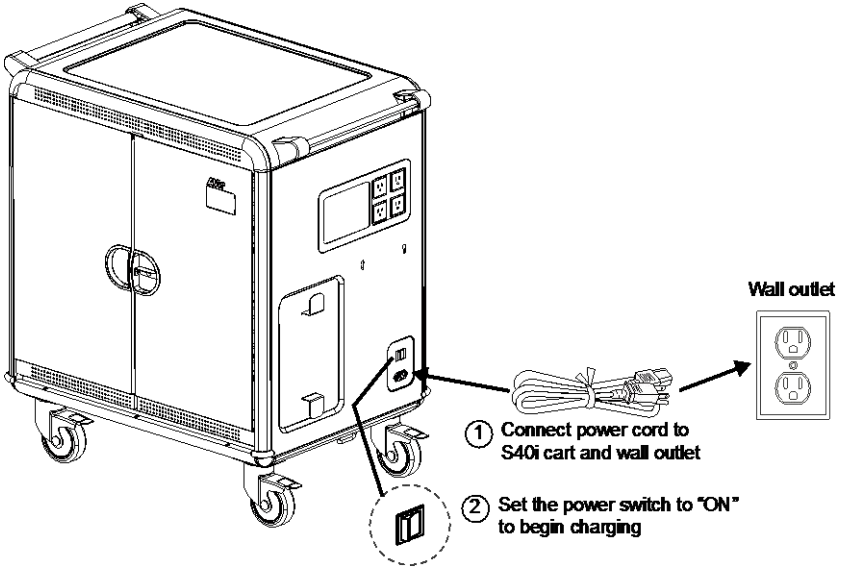
[Note] Remember to connect the power cord to each device.

Cable Management

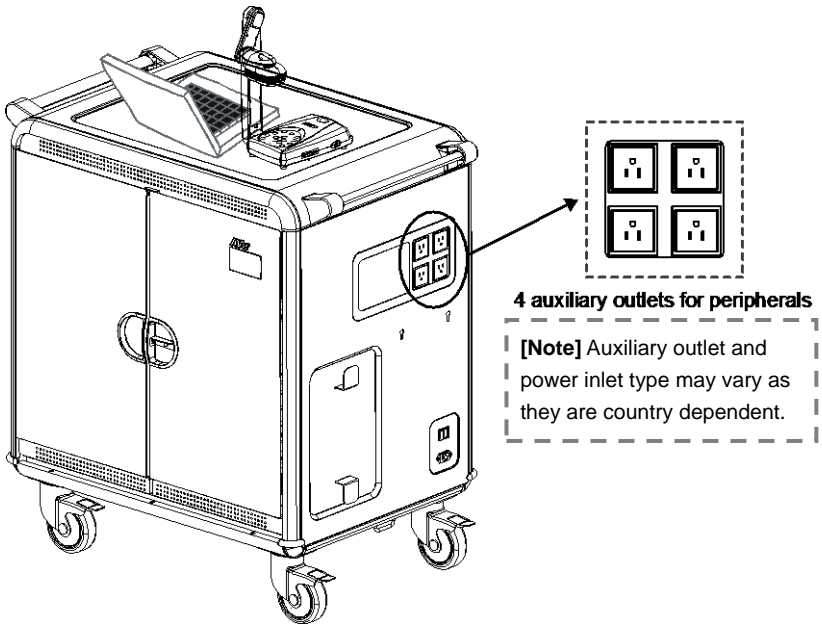
- (1) Adjust the position of each cable holder as desired.
- (2) Rotate the clip to the size that best fits the power adapter cable.



Connect S40i cart power to begin charging



Auxiliary outlet and Work platform



III. S40i Specifications

Capacity	40
Device support	Tablet/Chromebook up to 14"
Slot Dimension (W x D x H)	2.8(W) x 36.4(D) x 25(H) cm 1.1 1 (W) x 14.33 3 (D) x 9.84 4 (H)
Auxiliary outlets	4
LED status indicators	Yes
Charging type	Power receptacle
Power specification	<p>AC IN: 100-120V ~ 50/60Hz, 12A 200-240V ~ 50/60Hz, 8A</p> <p>PWR Strip: 40-Port Total 100-120V ~ 50/60Hz, 8A 200-240V ~ 50/60Hz, 6A</p> <p>Auxiliary outlet 4-Port Total: 100-120V ~ 50/60Hz, 4A 200-240V ~ 50/60Hz, 2A</p>
Intelligent charging mechanism	Yes
Security	Front door: 3-point locking mechanism
Casters	Four 5" swivel (two are lockable)
Slide-out Shelves	Yes(2)
Security hook	Yes
Working temp.	0 ~ 30
king RH	10% ~ 90%
Storage temp.	-40 ~ 60
Storage RH	5% ~ 95%
Warranty	10-year limited warranty for cart and tray 5-year limited warranty for electrical parts
Cart Dimensions(W x D x H)	97(W) x 62(D) x 102.7(H)cm 38.19 9 (W) x 24.41 1 (D) x 40.43 3 (H) (side handle is included)