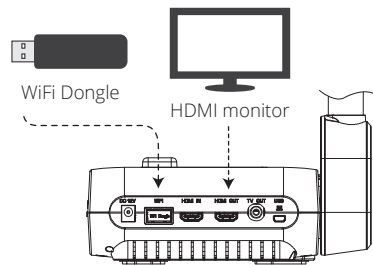


# Connecting to WiFi

Equipment needed: F70W w/power adapter, PC/Mac w/A+ Suite installed, access to WiFi network

1

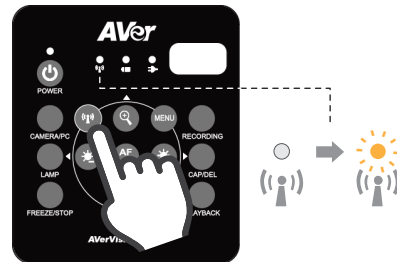
Connect F70W to HDMI display and insert WiFi Dongle.



Note: Refer to the "Connecting to HDMI" instructions to connect the F70W to an HDMI display. This only needs to be done once for the initial WiFi setup.

2

Enable WiFi function.



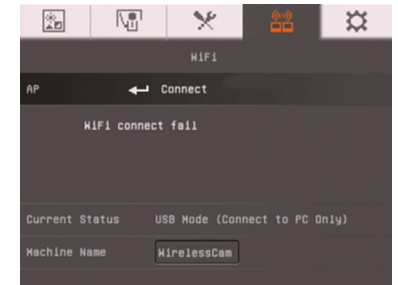
3

Open menu.



4

Go to the WiFi setup tab.



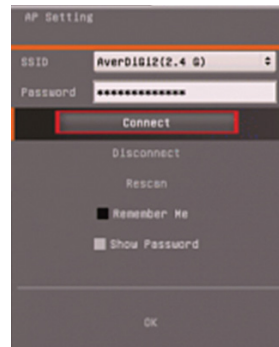
5

Select SSID and password.



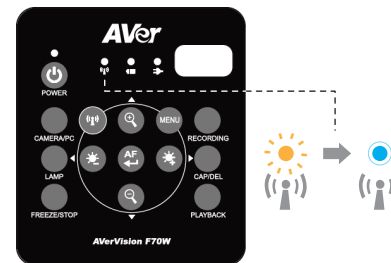
6

Connect.



7

WiFi successfully connected.



Note: after connecting the F70W to your network, you no longer need to use an HDMI display or repeat these steps. Just remember to toggle the "WiFi" button every time you want to stream video wirelessly (instead of USB).

8

Open Sphere2, select F70W.



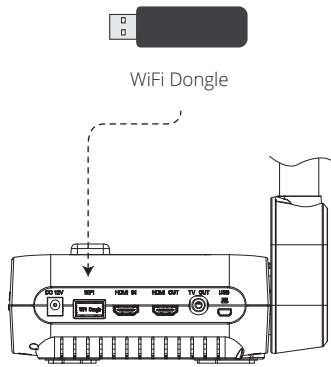
Note: Please refer to the F70W support page FAQs for more advance Wireless setup and access if you are having difficulty setting the camera from the camera drop down box.  
[www.averusa.com/support](http://www.averusa.com/support)

# Connecting to HDMI

Equipment needed: F70W w/power adapter, HDMI display, HDMI cable

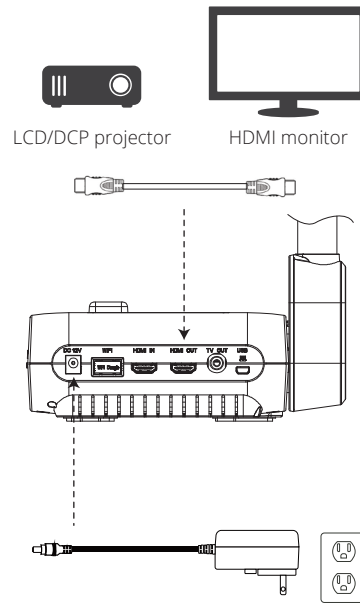
1

Insert WiFi Dongle.



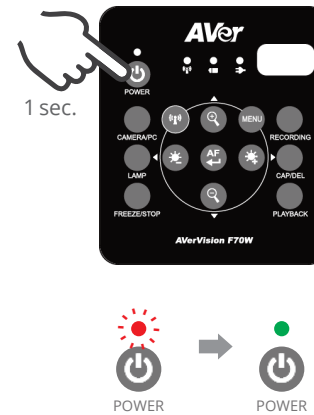
2

Connect F70W to HDMI display and plug in power adapter.



3

Turn on F70W.



**Note:** Adjust the video input on your HDMI display and select the HDMI input the F70W is connected to.

4

Auto focus camera.



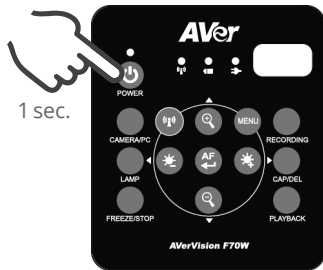
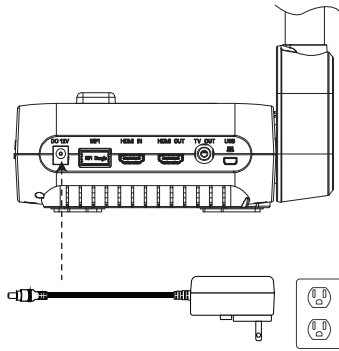
**Note:** F70W defaults to 1280x720 upon first use, change to 1080p in the on-screen display menu if your display supports it.

# Connecting to PC/Mac via USB

Equipment needed: F70W w/power adapter, PC/Mac w/A+ Suite installed, mini USB cable

1

Plug in power adapter and Turn on F70W.

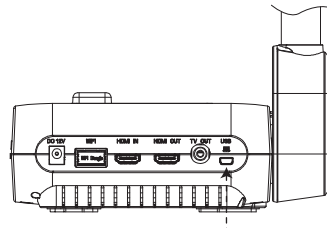


1 sec.



2

Connect F70W to PC/Mac via mini USB cable.



Note: be sure the WiFi function on the F70W is disabled (LED indicator should be completely off - not orange/blue).



3

Open Sphere2, select F70W.



Note: if this is the first time you are connecting the F70W to your PC/Mac, please wait for the USB driver to finish installing. You can download the software for free at [www.averusa.com/support](http://www.averusa.com/support)

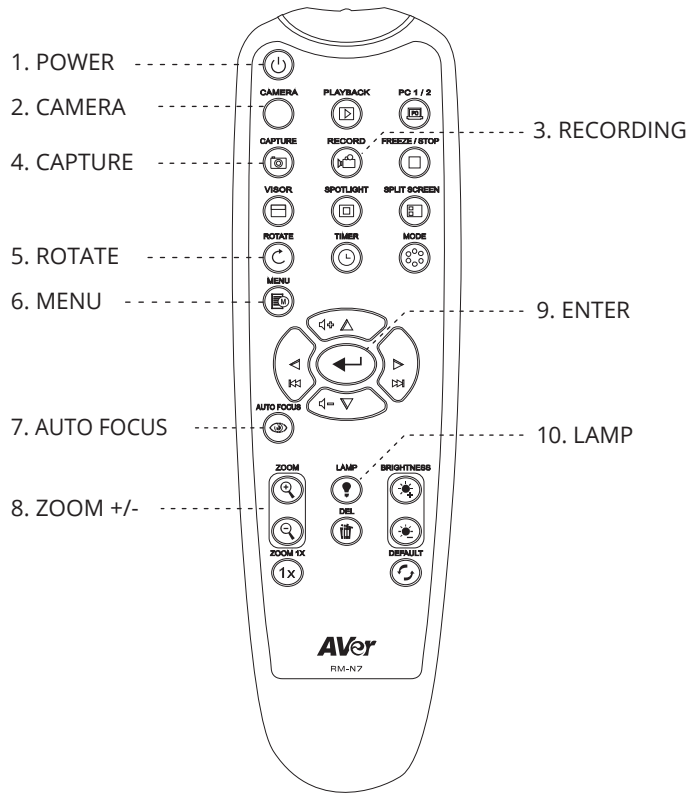
4

Auto focus camera.



# Remote Control

The remote control requires two (2) "AAA" size batteries (supplied), make sure batteries are installed properly before use.



For more information, please go to [www.averusa.com/classroom-technology/](http://www.averusa.com/classroom-technology/)

**Contact Information**  
AVer Information Inc. USA  
668 Mission Court,  
Fremont, California 94539 USA  
Toll Free: (877) 528-7824  
Email: [support.usa@aver.com](mailto:support.usa@aver.com)